

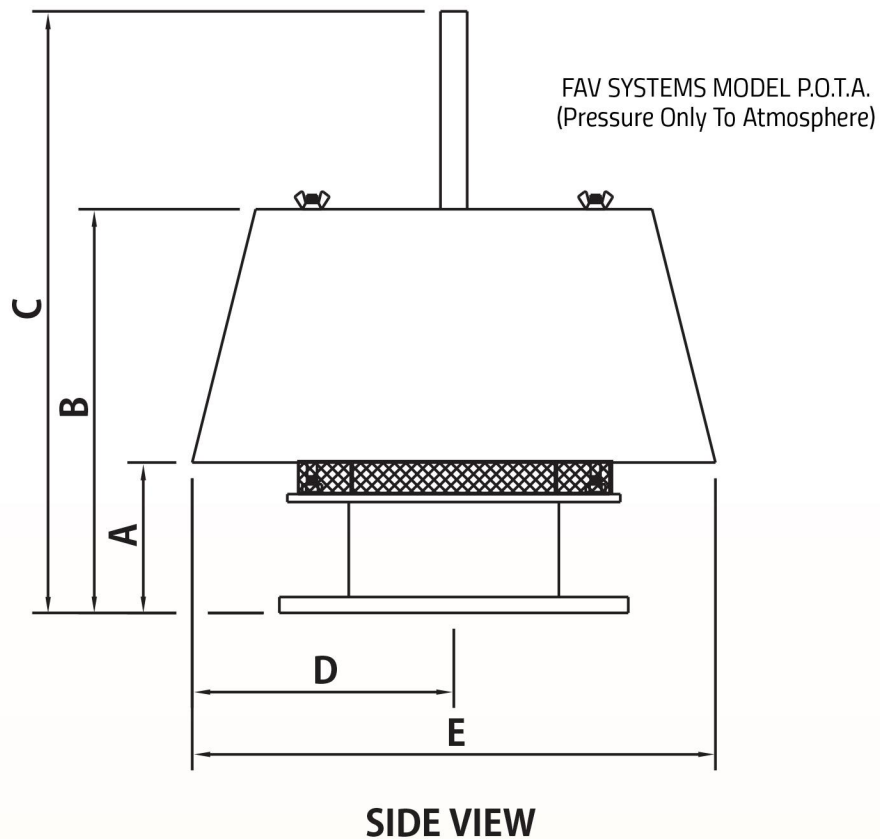


VAPOR TIGHT VENT
 MODEL POT A PRESSURE ONLY TO ATMOSPHERE



FAV SYSTEMS MODEL P.O.T.A. (PRESSURE ONLY TO ATMOSPHERE)

VENT SIZE	A	B	C	D	E
3"	4 3/4"	10"	15"	6 3/4"	13 1/2"
4"	4 3/4"	10 3/4"	16"	7 1/8"	14 1/4"
6"	4 3/4"	12 3/4"	19"	8 1/4"	16 1/2"
8"	5 3/4"	15 13/16"	23 1/16"	9 1/4"	18 1/2"
10"	5 3/4"	18 1/8"	26 3/8"	10 5/16"	20 5/8"
12"	5 3/4"	20 5/8"	29 7/8"	11 5/16"	22 5/8"



SPECIALIZED IN PREVENTING FUGITIVE EMISSIONS

Contact: 1 (956) 589 8832

www.favsystems.com