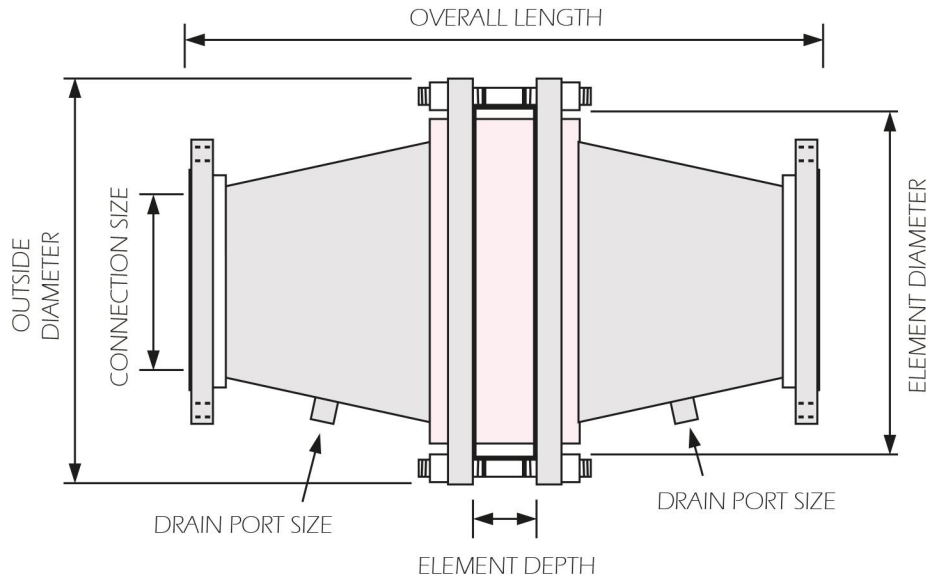




TECHNICAL DATA

CRIMPED RIBBON FLAME ARRESTOR



NOTE: 16" AND LARGER SIZES INCORPORATE CLASS 175 PRESSURE VESSEL FLANGES AT THE ELEMENT SECTION. ALL REMAINING FLANGES ARE 150 ANSI RATING.

General Dimensions & Weights (Stainless Element)							
INLINE MODEL	CONN. SIZE	OVERALL LENGTH	ELEMENT DEPTH	CELL HOUSING DIAMETER	OUTSIDE DIAMETER	DRAIN PORT SIZE	CALC. WEIGHT (LBS)
2"	2"	18"	4"	8" NPS	13.5"	NA	103
3"	3"	18"	4"	8" NPS	13.5"	NA	112
4"	4"	18"	4"	8" NPS	13.5"	3/4"	123
6"	6"	21"	4"	12" NPS	16"	3/4"	253
8"	8"	23"	4"	16" NPS	19"	3/4"	405
10"	10"	35"	4"	20" NPS	23.5"	1"	680
12"	12"	43"	4"	23.75"	27.5"	1"	1060
14"	14"	43"	4"	28"	32"	1"	1545
16"	16"	45"	4"	34.5"	38.75"	1"	1965
18"	18"	45"	4"	34.5"	38.75"	1"	2020
20"	20"	50"	4"	39.375"	42.25"	1"	2170
24"	24"	56"	4"	45.75"	49"	1"	3240
30"	30"	68"	4"	58"	61.5"	1"	5175

Any technical data and the designs disclosed herein are the exclusive property of Tornado Technologies Inc and/or contain the proprietary rights of others and are not to be used or disclosed to others without the written consent of Tornado Technologies Inc.