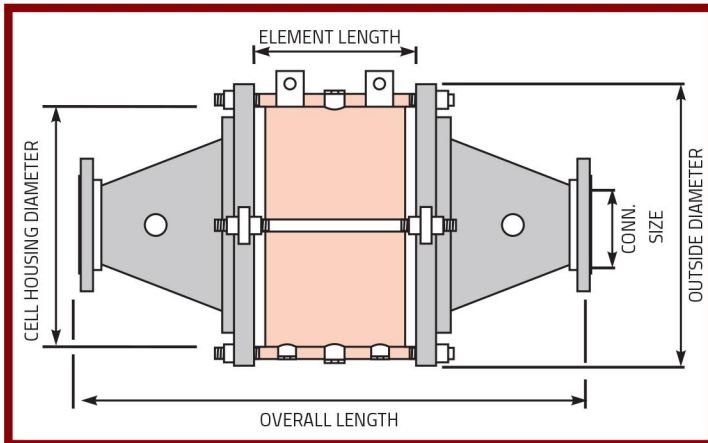
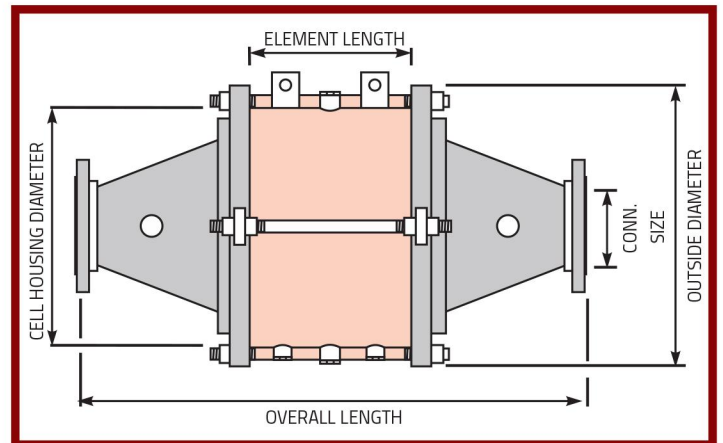




FAV SYSTEMS INC. S.S. DETONATION FLAME ARRESTORS



Model ILSF - A



Model ILSF - B

General Dimensions

ILSF MODEL	CONN. SIZE	OVERALL LENGTH	ELEMENT LENGTH	CELL HOUSING DIAMETER	OUTSIDE DIAMETER	DRAIN, TI & DP PORTS (6)	ELEMENT WEIGHT		GROSS WEIGHT	
							ILSF-A	ILSF-B	ILSF-A	ILSF-B
2"	2"	25"	8.5"	10.75"	13.5"	3/4" NPT	116	106	251	241
3"	3"	29"	10.5"	12.75"	16"	3/4" NPT	174	160	374	360
4"	4"	32"	11.25"	16"	19"	3/4" NPT	277	257	570	550
6"	6"	43"	13.75"	20"	23.5"	3/4" NPT	425	395	877	847
8"	8"	52"	15.75"	23.75"	27.5"	3/4" NPT	660	620	1372	1332
10"	10"	55"	17.75"	28"	32"	3/4" NPT	898	848	1855	1805
12"	12"	65"	19"	34.5"	38.75"	3/4" NPT	1409	1349	2820	2760

Any technical data and the designs disclosed herein are the exclusive property of FAV Systems Inc. And/or contain the proprietary rights of others and are not to be used or disclosed to others without the written consent of FAV Systems Inc.