



HOT LINE
LOAD LINE ANTI-FREEZE SYSTEM



THE HOT LINE TAKES A LOAD OFF YOUR MIND!

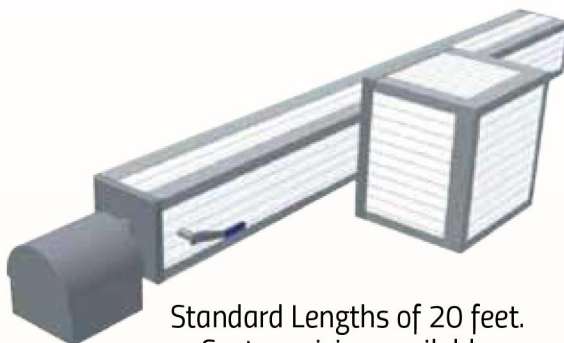
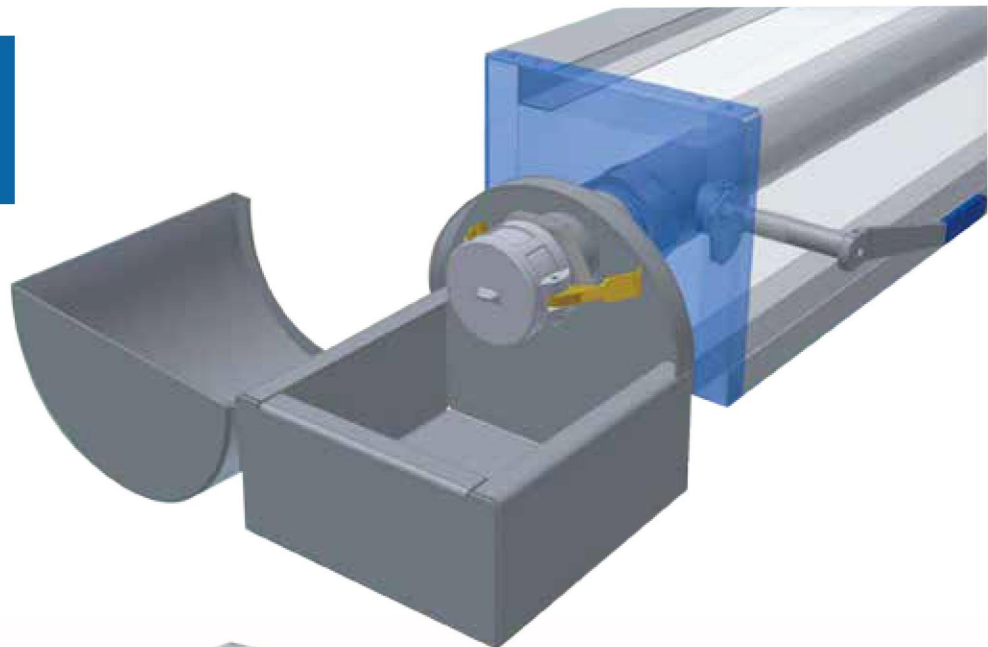
FAV Systems Inc. has witnessed thousands of dollars wasted by companies trying to cope with frozen load lines. Profits are flushed away on crews, steamers and tank trucks trying to thaw out lines - usually just a temporary fix.

FAV Systems Hot Line is another innovation in our growing line of freeze-protection products. This unique system encases load lines with R7-value insulated panels and then floods the compartment with heat from an 8,000 BTU catalytic heater. The unit is fueled by either propane or tied into available natural gas. The system requires no power and can be easily started with any 12V truck battery.

Call FAV Systems on the Hot Line and stop wasting money For costly quick fixes. We'll help keep both your load lines and profits flowing.

ANOTHER EXAMPLE OF FAV SYSTEMS INNOVATION

Shown with FAV Systems Drip-Chest to prevent leakage



Standard Lengths of 20 feet.
Custom sizing available.



8,000 BTU Catalytic Heater

SPECIALIZED IN PREVENTING FUGITIVE EMISSIONS

Contact: 1 (956) 589 8832

www.favsystems.com