



DRIP CHEST LOAD LINE DRIP CATCHER

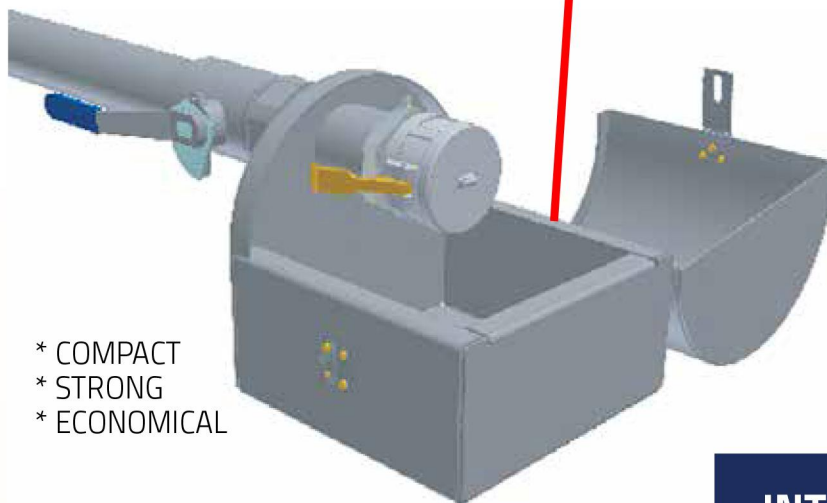


FAV SYSTEMS THINKS "INSIDE" THE BOX!



FAV Systems Inc. has designed the Drip chest to contain leakage while connecting and disconnecting suction hoses to load lines. Most of the time, Prism is thinking outside the box to create out innovative products. With the Drip chest, we finally found ourselves having to go inside the box for a solution to this common problem.

The Drip Chest is compact, secure, economical and easy to use. The entire box is integrated into the load line valve for a solid connection. FAV Systems can provide quotes for single or multiple units based on your site requirements. For over 20 years, our engineers have been committed to developing products that save money and protect the environment. Don't be a drip... do your part and order the Drip Chest today.



- * COMPACT
- * STRONG
- * ECONOMICAL



**INTEGRATED DRIP BOX PREVENTS
LEAKAGE FROM LOAD LINES**

SPECIALIZED IN PREVENTING FUGITIVE EMISSIONS

Contact: 1 (956) 589 8832

www.favsystems.com